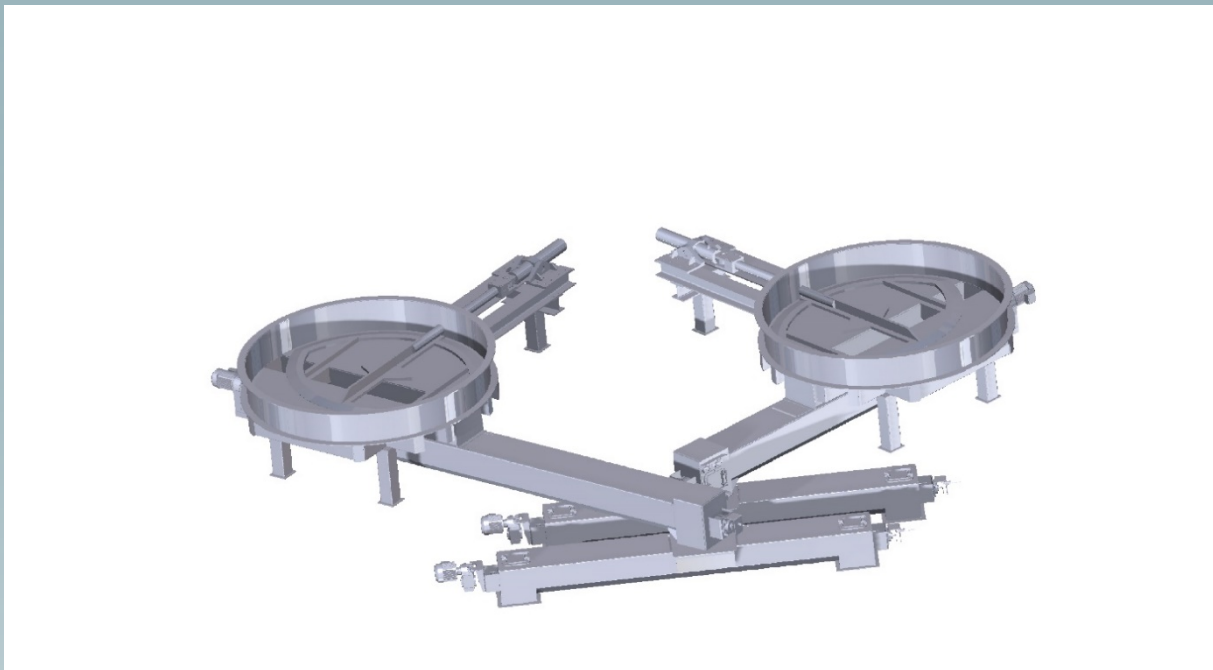




SAXWERK

PLANT REPORT SAX 1270

Solör Bioenergi AS Jessheim, Norway
Filter bottoms for a district heating plant



Filter bottom Ø3000

Saxwerk delivered in 2019 two filter bottoms to Solör bioenergi AS at their new district heating plant in Jessheim, Norway.

Saxwerk has delivered and commissioning the filter bottoms with sliding frames discharge units.

Technical data:

Material:		Sawdust
Capacity:	25	m ³ /h
Diameter:	2 500	mm



SAXWERK