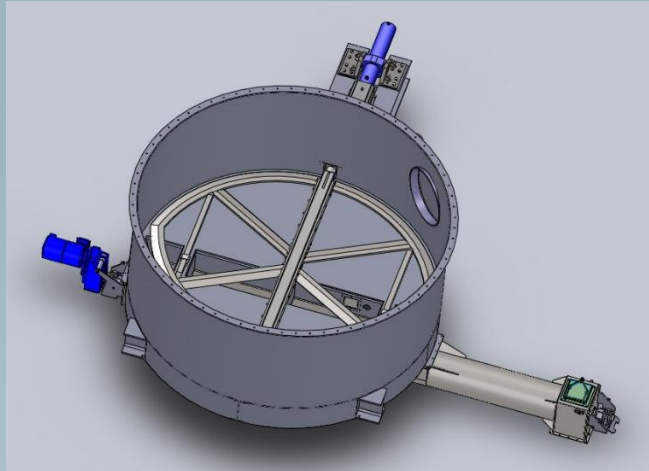




# SAXWERK

## PLANT REPORT SAX 920

Laitex OY, United Kingdom  
Ash discharge system 60m<sup>3</sup>/h



### Ash discharge system 60m<sup>3</sup>/h

Saxwerk delivered in 2017 one discharge system for bottom ash to Laitex OY for ash handling system in United Kingdom

Saxwerk has delivered complete system with drawings for silo bottom, sliding frame and the discharge screw.

#### Technical data:

<b>Material:</b>	Bottom ash
<b>Capacity:</b>	60 m <sup>3</sup> /h
<b>Diameter silo bottom:</b>	4200 mm
<b>Height silo bottom:</b>	1600 mm
<b>Silo volume:</b>	70 m <sup>3</sup>



**SAXWERK**